

Working instructions

Aeroflex® ridge and arris rolls

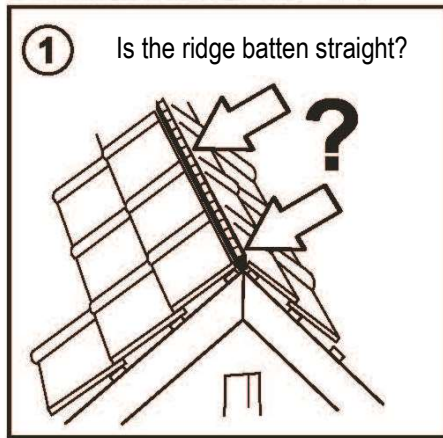


Storage instructions:

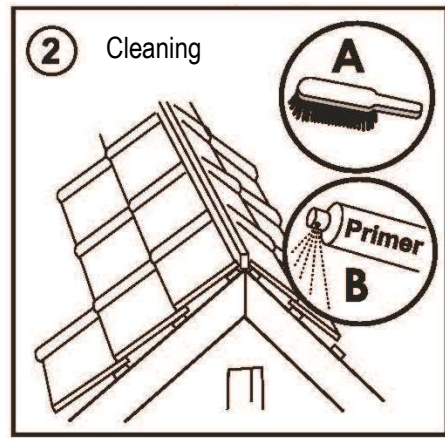
Storage limit: 12 months after manufacture in closed original container at a temperature between 10 to 30 °C.

Application temperature:

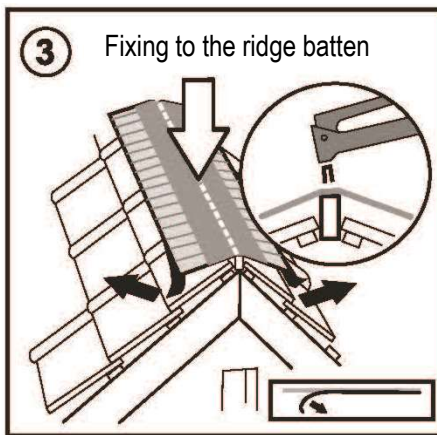
Component and ambient temperature of +5 to 35°C.



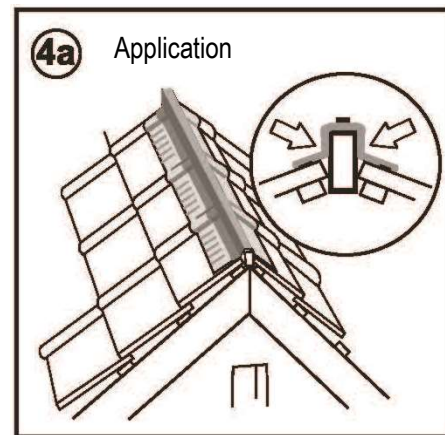
- Check the condition of the ridge batten (alignment and height)



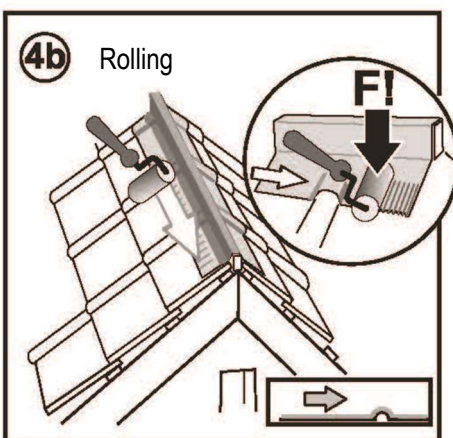
- Substrate: Dust-free and dry
- If necessary (weathered substrate): Prime with Multi Primer / Multi Primer for spraying



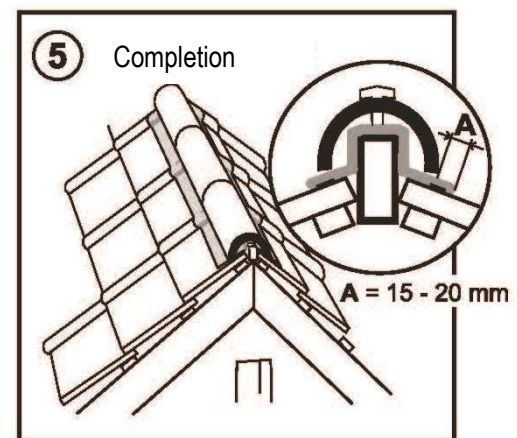
- Fix the Aeroflex® centrally onto the ridge batten
- Remove the protective film



- Apply the Aeroflex® without applying pressure



- Roll the aluminium strip firmly onto the roof tile using a pressure roller



- Install and secure the ridge tiles