



Product Verification

Sustainability

according to BNB BN 2015

according to BREEAM International New Construction 2016

according to DGNB Gebäude Neubau 2018

according to LEED Building Design and Construction V3 (2009)

according to LEED Building Design and Construction V4 (2015)

Different materials are used for joints to an inclined roof, as with chimneys or walls. The performance and material make the highest demands on waterproofing against rain. Roofack meets these demands and offers simple, fast and thorough application. Roofack is a composite sealing strip made of polyisobutylene (PIB) with fully embedded aluminium expanded metal mesh, self-adhesive on one side. The flexibility of the material enables optimal shaping of the sealing strip to follow the contours of the roof.

Roofack offers you the following advantages:

- High stability through high-grade polyisobutylene and aluminium expanded mesh
- Secure positioning through full-surface, butyl adhesive coating on the underside
- High elasticity in both directions
- Up to 30% faster laying compared to conventional materials
- High UV resistance / durability and colour fastness
- Very good moulding to match profiled roof tiles



Technical data:

Overall thickness	approx. 2.6 mm
Thickness of the Polyisobutylene (PIB)	approx. 1.2 mm
Thickness of the self-adhesive layer	approx. 1.2 mm
Temperature range	- 30 °C to + 85 °C
Application temperature	+ 5 °C to + 35 °C
Fire behaviour	normal inflammable, class E ac. to DIN EN 13501-1
Colours	red, brown, grey, and black
Extension factor	approx. 30 %
Width	280 mm
Length of roll	5 m
UV resistance	given due to material surface
Weight	approx. 5.2 kg per roll
Packing unit	10 m per carton / 360 m per pallet

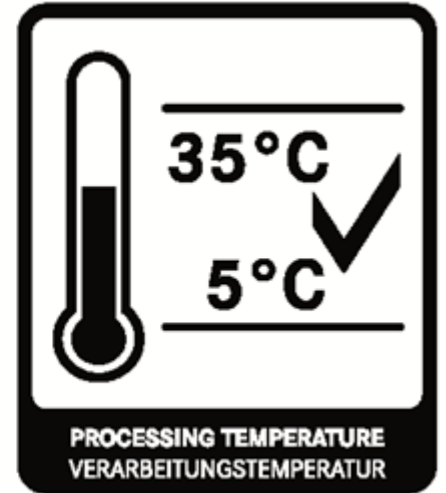
Description:

Roofack has a smooth and stable Polyisobutylene (PIB) surface – a material used successfully on flat roofs for some time. This surface withstands soiling and is not affected by UV. The self-adhesive coating has a covering layer of easy to handle siliconised plastic foil, designed especially for the application. This makes it much easier to peel off the foil. The adhesive layer consisting of high-grade butyl rubber glue is self-adhesive across its entire surface. Outstanding initial adhesion and durable final strength are achieved when properly glued to roof tiles and vertical building components (surfaces must be dry and free of dust and grease).



Substrate:

The substrate must be stable, clean, free of dust, grease and oil and completely dry. It is generally not recommended to apply Roofack on moist surfaces or at temperatures below + 5 °C. To prevent bubbles forming on the Roofack surface, the substrate must be absolutely dry and totally free of moisture. The Roofack as such must also be absolutely dry. If roof tiles with a modified surface are used, especially with Lotus effect or siliconized, it is imperative to carry out trials to check the adhesion of butyl strips to roof tiles.



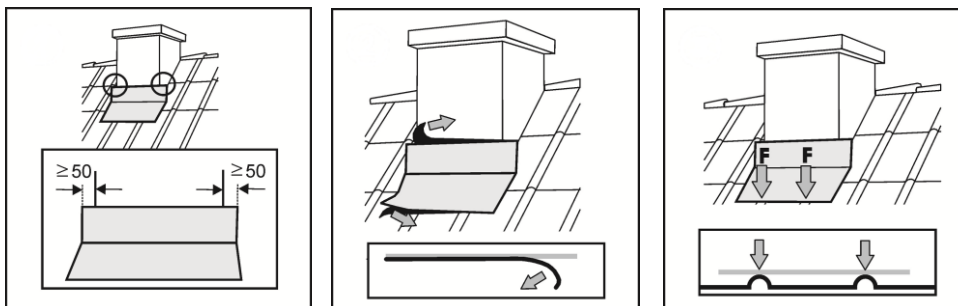
Processing:

Roofack may generally be applied using conventional tools. Besides a measuring tape, pencil and scissors, a rubberised pressure roller is also required. Roofack can also be glued with overlaps. Using the pressure roller, ensure that the material is pressed down smoothly in overlapping glued areas, clinging tightly to the surface underneath. Gluing must be particularly meticulous in corners, pressing down firmly. Important: after gluing down Roofack, protect the top edge with conventional flashing for mechanical support and seal permanently flexible.

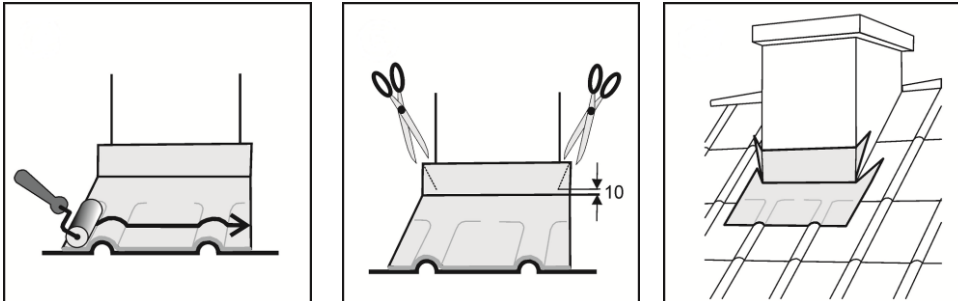
Laying: Chimney over cover

Connection on eave side:

- Cut Roofack to accommodate chimney width + at least 50 mm overlap on both sides
- Fold material up and apply
- Strip off the upper part of the split protective foil and glue to the chimney
- Strip off the remaining protective foil and first fixate on the upper corrugations of the covering sheet

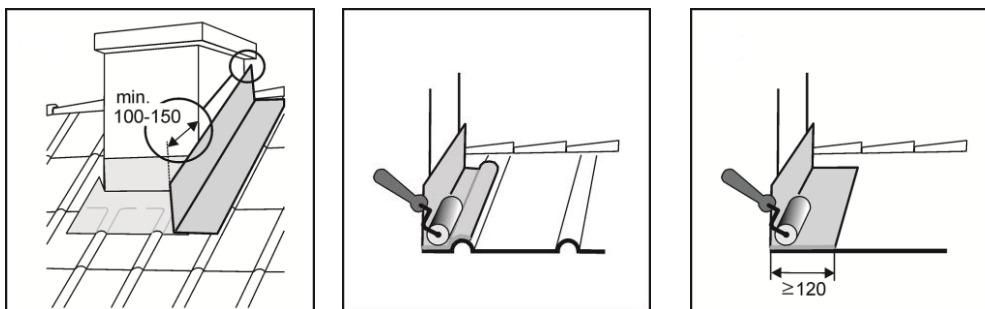


- Mould Roofack to the roof tile in front (use pinch roller)
- Cut lateral overlap at an angle up to 10 mm before the seam
- Fasten cut parts to chimney and roof surface



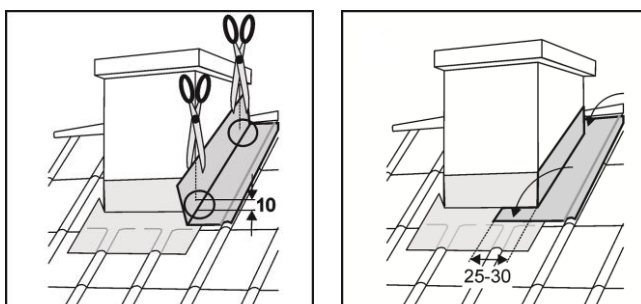
Lateral connection:

- Length of lateral part to chimney corner + 100 – 150 mm overlap
- With profiled roof tiles, lay lateral part over the first high point to the end of the water run
- Lateral overlap with even roofing material, at least 120 mm
- First glue to the high points of the roof tiles, then firmly mould against the substrate.



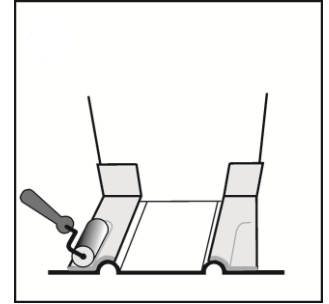
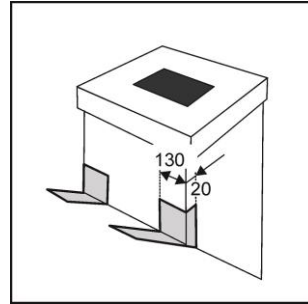
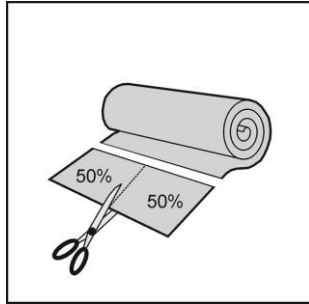
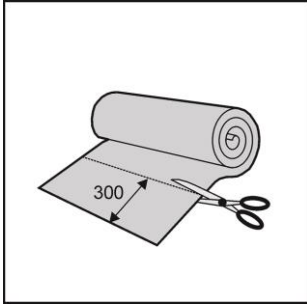
Corners on eave side:

- Vertically cut protruding lateral part (Note: glue 25 – 30 mm to connection on eave side)
- Only cut up to 10 mm before the seam line
- Cut off bottom protruding part, mould on the remaining overlap and press down firmly
- Cut overlapping lateral part at an angle on the ridge side (to 10 mm before the seam line)
- Mould cut parts firmly onto chimney and roof surfaces



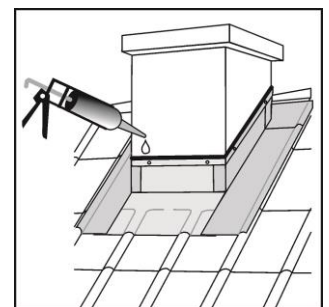
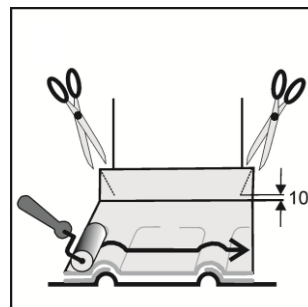
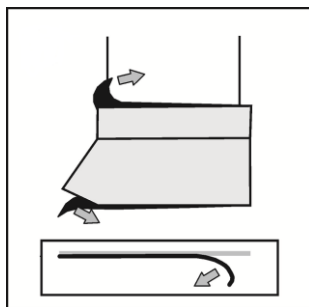
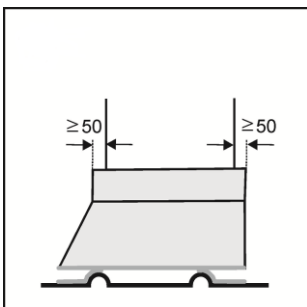
Corners on ridge side (reinforcement):

- Cut off 300 mm Rooftack strip and divide in half
- Remove protective foil and apply to the chimney valley, right and left – with ca. 20 mm overlap
- Fixate strip on high points only
- Glue overlap to lateral parts and press down firmly



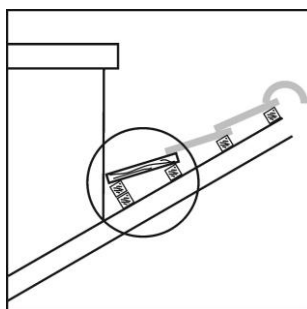
Connection on ridge side:

- Cut Rooftack to accommodate chimney width + at least 50 mm overlap on both sides
- Cut material to length and position in chimney valley
- Position seam line on high points only; do not mould Rooftack to profiles near the valley
- Cut overlapping part up to 10 mm before the seam line
- Press Rooftack down carefully, especially in the corners
- Protect upper edge of Rooftack with an end strip, close joint with a sealant



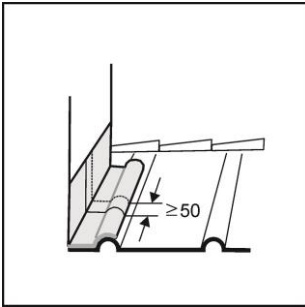
Connection on ridge side with valley casings:

- To avoid water pockets, we recommend a valley of doubled roof battens
- The valley design must allow water to run off (at high points level)



Lateral wall connection:

- Continuous laying with ≥ 50 mm overlap.



Storage:

12 months from date of manufacture, in tightly closed original container at a temperature not exceeding + 30 °C.

Attention! Important Note:

Above information are based on best present knowledge of current technology, but do not guarantee faultless processing of our products. The information is based on practical results of our tests, but is not binding and does not constitute warranties of characteristics in terms of Federal Supreme Court jurisdiction. Our information does not constitute a legally binding assurance of certain properties or suitability for a specific purpose. Supplementary information by our specialists are merely recommendations, for which no liability is accepted.

Due to the many possible applications of our products, we recommend subjecting the project to a thorough suitability test on original materials before release for further application.

Since our information are non-binding we do not warranty their correctness. For this reason we accept no liability for possible improper processing based on information submitted by our employees.

This technical data sheet replaces all previous versions and is valid until a new version is issued, or until Dec. 31, 2024. Please request the latest version after Jan. 01, 2025.

Dr. Hermann, Anwendungstechnik / Application Technology, Gingen / Fils