

VOWA EPS Insulation Blocks are made from expanded polystyrene foam (EPS), which is a closed-cell, rigid insulation material. Our VOWA EPS Insulation Blocks are produced accurate to the size of our BOSIG Front Wall Installation System Phonotherm®. So they can be installed easily and exactly.

**VOWA EPS Insulation Blocks have the following typical advantages:**

- excellent thermal insulation properties
- easy to process and apply
- resistant to damp and moisture
- cannot rot and are resistant to vermin
- do not represent a health hazard once installed
- non-hazardous

**Technical data:**

**Characteristics**

Material	EPS 032 grey	
Fire behaviour	Building Material Classification B1	ac. to DIN 4102 – 1
	Fire rating E	ac. to EN 13 501 – 1
Transverse tensile strength	≥ 100 kPa	ac. to EN 1607
Shear strength	≥ 50 kPa	ac. to EN 12 090
Dimensional stability under standard atmosphere	± 0.2 %	ac. to EN 1603
Irreversible change in length	≤ 0.15 %	ac. to EN 1603
Dimensional stability def. temp. factor	≤ 2 %	ac. to EN 1604
Water absorption	≤ 0.2 kg / m <sup>2</sup>	ac. to DIN 1609
Thermal conductivity group	032	
Rated value of the thermal conductivity	λ = 0.032 W/mK	

**Sizes of VOWA EPS Insulation Blocks:**

Dimension:	suited for Front Wall Installation Elements Phonotherm®:		
40 x 90 x 1000 mm	A90/140	overhang 90 mm	height 140 mm
70 x 90 x 1000 mm	A120/140	overhang 120 mm	height 140 mm
90 x 90 x 1000 mm	A140/140	overhang 140 mm	height 140 mm
110 x 90 x 1000 mm	A160/140	overhang 160 mm	height 140 mm

Other dimensions are available fitting to our Front Wall Installation Elements Phonotherm®.

**Notes:**

Our EPS material is chemically and biologically neutral and CFC and HCFC free and is produced without HBCD.

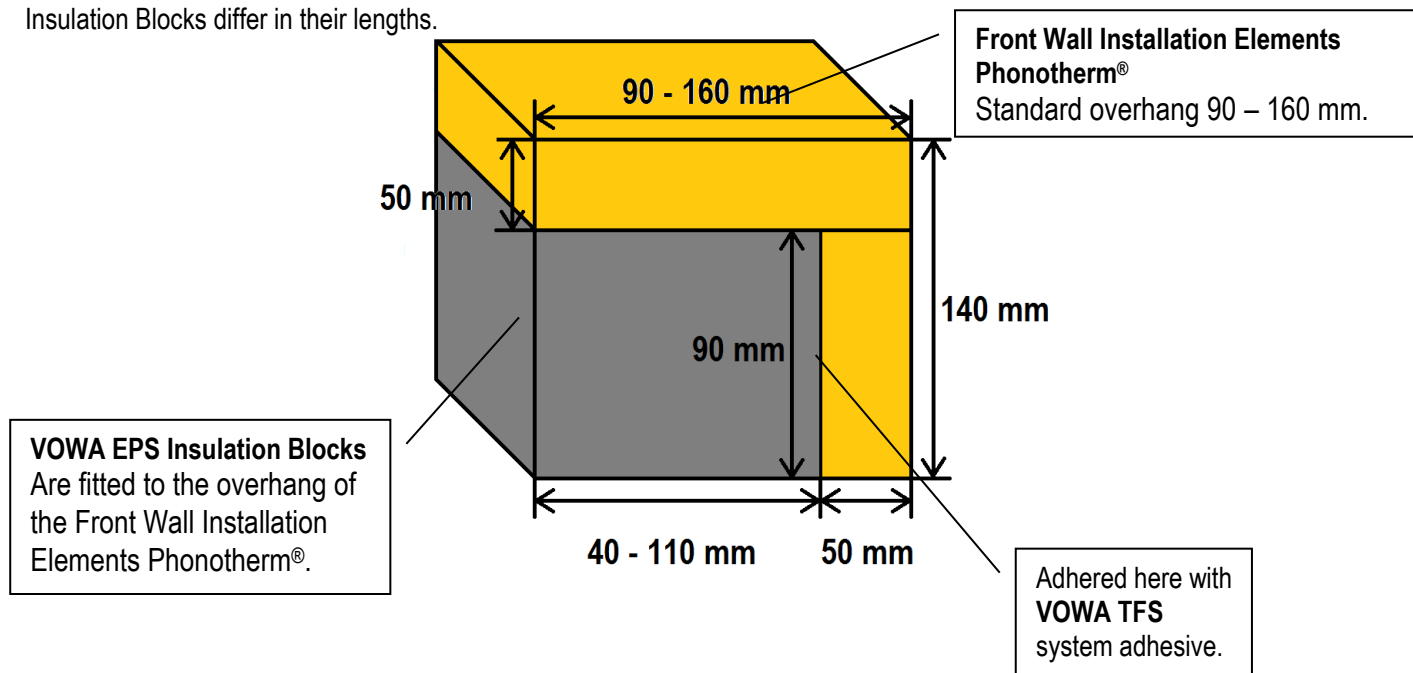
**Storage note:**

Shield from sunlight (UV rays).

### Installation instructions:

Our VOWA EPS Insulation Blocks are glued into the overhang of our Front Wall Installation Elements Phonotherm® with our VOWA TFS adhesive after installation of the Front Wall Installation Elements Phonotherm®. Thereby an optima thermal insulation behavior of our BOSIG Front Wall Installation System Phonotherm® results and a convenient and plane connection face to the thermal insulation sheets of the façade is given.

Please observe, that the Front Wall Installation Elements Phonotherm® and the VOWA EPS Insulation Blocks differ in their lengths.



### Attention! Important Note:

Above information are based on best present knowledge of current technology, but do not guarantee faultless processing of our products. The information is based on practical results of our tests, but is not binding and does not constitute warranties of characteristics in terms of Federal Supreme Court jurisdiction. Our information does not constitute a legally binding assurance of certain properties or suitability for a specific purpose. Supplementary information by our specialists are merely recommendations, for which no liability is accepted.

Due to the many possible applications of our products, we recommend subjecting the project to a thorough suitability test on original materials before release for further application.

Since our information are non-binding we do not warranty their correctness. For this reason we accept no liability for possible improper processing based on information submitted by our employees.

This technical data sheet replaces all previous versions and is valid until a new version is issued, or until Dec. 31, 2024. Please request the latest version after Jan. 01, 2025.

Dr. Hermann, Anwendungstechnik / Application Technology, Gingen / Fils

BOSIG GmbH

D – 73333 Gingen, Brunnenstraße 75 - 77

Telephone +49(0)7162-40 99-0 Fax +49(0)7162-40 99-200

www.bosig.de  
info@bosig.de