



Product Verification

Sustainability

according to BNB BN 2015

according to BREEAM International New Construction 2016

according to DGNB NBV 2015

according to DGNB Gebäude Neubau 2018

according to LEED Building Design and Construction V3 (2009)

according to LEED Building Design and Construction V4 (2015)

Certification:

The emission behaviour of Winflex® TriSave has been tested independently by the institute for analytic Aurachtal. Winflex® TriSave has been proved and tested to be very low-emission and particularly does not contain any halogenated flame retardant substances.

Application in passive houses:

Winflex® TriSave is suited to be used for passive houses.



BOSIG GmbH

P-NDS04-781

Product description:

Winflex® TriSave Sill ideally complements our Winflex® TriSave climate tape. Winflex® TriSave Sill reduces the effort required for the bottom window joint to a single work step as well. Winflex® TriSave Sill guarantees uncomplicated, safe, time-saving and simple installation. Winflex® TriSave Sill is easily applied to the bottom window frame, where the window connects to the sill and provides optimal support during window installation. The bottom window joint thus complies with DIN 4108-7 and with recommendations of the guidelines of the German RAL quality assurance association for windows and doors without a problem. Winflex® TriSave Sill is ideally suited for bottom window sealing, requiring only a few widths to seal the different built-in depths of the base profile. Winflex® TriSave's principle "the inside sealed better than the outside" is implemented through a stretchable, air- and diffusion-tight sealing tape on the inside and a vapour permeable, pre-compressed, wind and driving rain resistant tape on the outside. Winflex® TriSave Sill also provides thermal and sound insulation in the sill joint gap, since it covers the full width of the frame.

Our solvent-free, paste-like, white Winflex® TFS adhesive in the flow pack is ideal as a complementary product for levelling rough irregularities and sealing in corners, if required.

Composition:

Winflex® TriSave Sill consists of polyurethane soft foams impregnated with flame retarding synthetic resin, layered onto a self-adhesive substrate. The different interior and exterior side diffusion properties of Winflex® TriSave Sill are achieved by different foams with different properties. For better differentiation also in installed condition, the interior side of Winflex® TriSave Sill is grey, the exterior side is black.

Winflex® TriSave Sill offers you the following advantages:

- simple, quick and durable sealing of the joint in a single work step – clear cost-saving due to time saved
- resistance to driving rain, heat-insulating and airtight – all in a single product
- reliable, simple installation
- absorbing structural movement through stretchability / flexibility
- can be plastered and painted over
- no soiling of window areas through fluid adhesive systems
- contains no solvents or hazardous substances

Technical data:

| | | |
|--------------------------------------|---|------------------------------------|
| Fire behaviour | building material class B 2 (normal flammability) | DIN 4102, Part 1 |
| Resistant to driving rain | fulfils requirements up to 600 Pa | DIN EN 1027 |
| Thermal conductivity | $\lambda_{10} = 0.040 / 0.046 \text{ W} / (\text{m} \cdot \text{K})$ | DIN EN 12 667 |
| U-value for 30 mm installation depth | 1.2 W / (m ² ·K) | |
| for 35 mm installation depth | 1.1 W / (m ² ·K) | |
| for 40 mm installation depth | 1.0 W / (m ² ·K) | |
| Joint permeability | $a < 0.1 \text{ m}^3 / (\text{h} \cdot \text{m} \cdot (\text{daPa})^n)$ | DIN 18 542 |
| | Class 4 | DIN EN 12 207 |
| Diffusion resistance | $\mu \leq 100$ | DIN EN ISO 12 572 |
| | through different components for interior and exterior side sealing, reliably better sealed on the inside than on the outside | |
| Acoustic insulation | | according to DIN EN ISO 717 Part 1 |
| | 43 dB in 10 mm joint – sound insulation class 4 | |
| | 60 dB with additional interior joint sealing with SB-Sil N – sound insulation class 6 | |
| Thermal resistance | - 30 °C to + 80 °C | |
| Shelf life | 1 year | DIN 53 421 |
| Storage temperature | + 10 °C to + 20 °C | |

Please note:

Always store Winflex® TriSave Sill in a temperate climate.

Do not clean using compressed air or solutions with high acetic acid content. Winflex® TriSave Sill may not be exposed to solvent-containing or aggressive chemicals.

Winflex® TriSave Sill may be painted over with water soluble paints.

Standard dimensions:

| Tape description | Installation depth of the base profile | Functional range – joint widths | Length of roll |
|------------------|--|---------------------------------|----------------|
| 5 mm x 8 m | 30 mm | 5 – 10 mm | 8 m |
| | 35 mm | | |
| | 40 mm | | |
| 7 mm x 6 m | 30 mm | 7 – 15 mm | 6 m |
| | 35 mm | | |
| | 40 mm | | |
| 10 mm x 4.5 m | 30 mm | 10 – 20 mm | 4.5 m |
| | 35 mm | | |
| | 40 mm | | |

Expansion behaviour:

It is the delayed reset, that makes Winflex® TriSave sill manageable. Expansion behaviour of the tape depends on the temperature of the joint and the environment. At higher temperatures, the tape expands comparatively fast and the construction part has to be installed in short times. Therefore a storage temperature > 20 °c is to be avoided for longer times and the tape should not be stored in direct sun light. At lower temperatures we recommend to store the tape for at least 24 hours before installation at a temperature of around 20 °C. The expansion of the installed tape may be accelerated by warming with a hot-air gun. Warm the tape in pivoting action.

At temperatures above 20 °C Winflex® TriSave Sill should be kept in a cool place even at the construction side, at temperatures below 8 °C Winflex® TriSave Sill should be kept at room temperature even at the construction side, because high temperatures accelerate the expansion of the tape, low temperatures decelerate the expansion.

Processing notes:

Winflex® TriSave Sill replaces three window joint sealing products for the sill region with one product, provided the width of the gap is within the expansion range of the tape; gap widths of 5 to 20 mm can be handled with only three tape sizes.

The width of the gap is determined by measuring the window frames and the embrasure opening. This is required to select the correct tape size. Cut off the over-compressed beginning and end pieces of the tape.

The bonding surfaces on the window frame must be dry and free of oil, grease and dust. If necessary, clean with our Cleaner 10 or Cleaner 20. The cut lengths are then glued to the faces of the prepared window frames. Take note of the interior (grey) and exterior (black) sides of the tape (see also marking in roll core)!

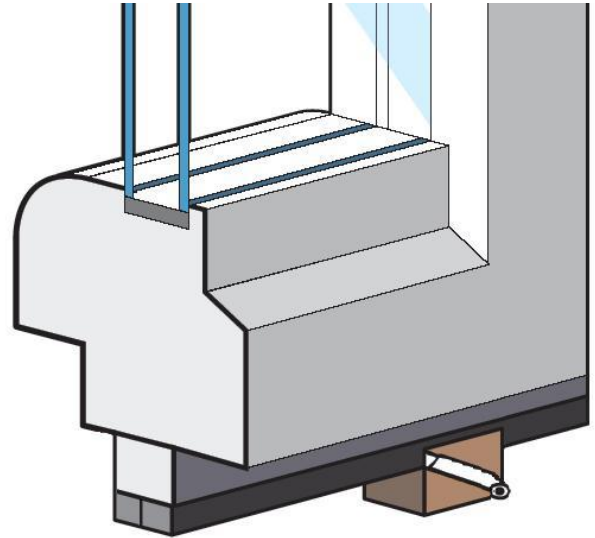
This requires careful pressing down, preferably using a pinch roller. This is done by gluing the cut lengths flush with the outer edge, whilst the cut lengths on the left and right are glued leaving a 0.5 cm overhang. Winflex® TriSave Sill is used ideally in combination with our Winflex® TriSave - see application notes for Winflex® TriSave.

When using load bearing blocks, particular attention should be paid to proper expansion of the tape in the region of the blocks. It is recommended to make cuts in the tape to the left and right of the blocks.

Remove dirt and mortar residues from the window embrasure. Afterwards, immediately fit the window into the opening, align and fasten. Ensure that the compressed tape is not damaged by the spacers and alignment material or similar.

Our solvent-free, paste-like, system adhesives of the type Fasatan®- / Winflex® TFS or -TFU in the flow pack are used for levelling rough irregularities and sealing in corners, in tape joints, or in every gap which may occur.

The processing temperature (= component temperature) must not be under + 5 °C.



Attention! Important Note:

Above information are based on best present knowledge of current technology, but do not guarantee faultless processing of our products. The information is based on practical results of our tests, but is not binding and does not constitute warranties of characteristics in terms of Federal Supreme Court jurisdiction. Our information does not constitute a legally binding assurance of certain properties or suitability for a specific purpose. Supplementary information by our specialists are merely recommendations, for which no liability is accepted.

Due to the many possible applications of our products, we recommend subjecting the project to a thorough suitability test on original materials before release for further application.

Since our information are non-binding we do not warranty their correctness. For this reason we accept no liability for possible improper processing based on information submitted by our employees.

This technical data sheet replaces all previous versions and is valid until a new version is issued, or until Dec. 31, 2025. Please request the latest version after Jan. 01, 2026.

Dr. Hermann, Anwendungstechnik / Application Technology, Gingen / Fils